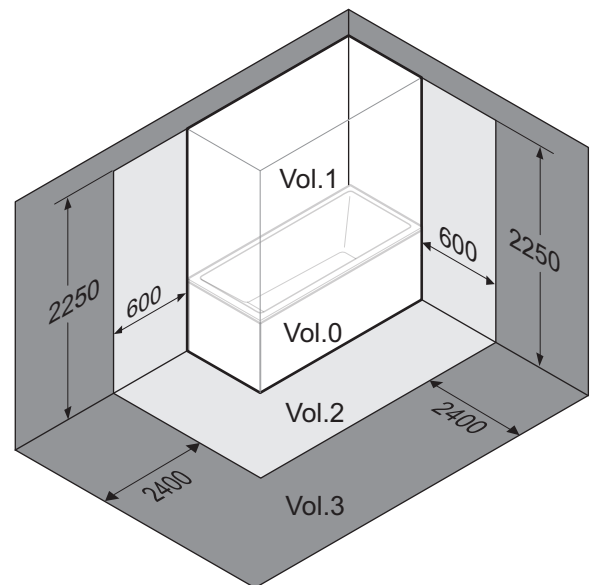
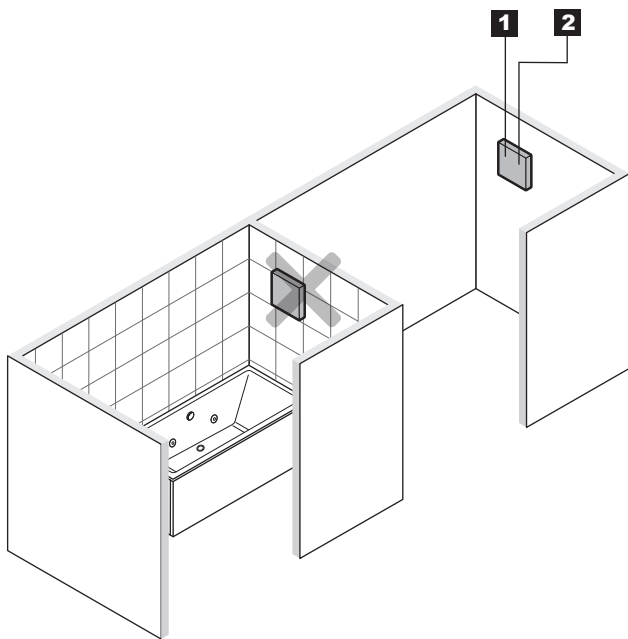


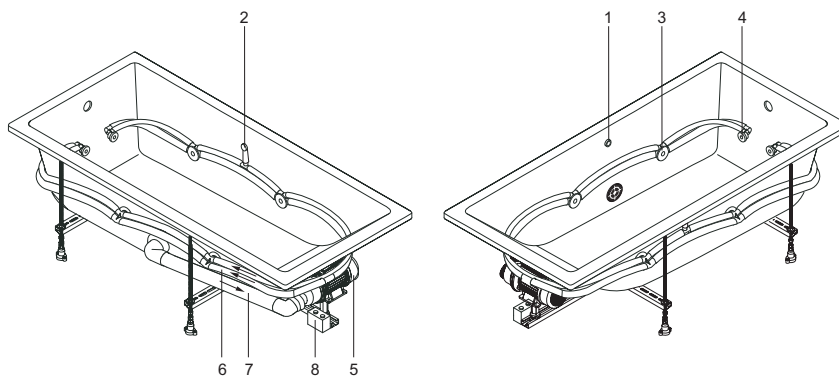
(2) according to present norms





| | RATED POWER | RATED INTENSITY | CE \perp ∇ |
|-------------------|-------------|-----------------|----------------------|
| EMOTIVE ESSENTIAL | 650W | 3.5A | 220-230V-50/60 Hz(1) |

(1) according to the model

emotive essential



- 1 - Motor pump digital control – ON/OFF 
- 2 - Air flow regulator 
- 3 - Lateral Jets (venturi)
- 4 - Foot Jets (venturi)
- 5 - Water flow motor pump
- 6 - Water circulation circuit (outflow)
- 7 - Water circulation circuit (inflow)
- 8 - Junction box

The installation must be made by qualified technicians, and all recommendations in this tub manual must be respected.

The tub must be connected to a 220/230V electrical tension. The housing electrical installation must have a 30mA differential switch, or more sensible, according to the standards in the geographic area of installation, as well as a proper thermal magneto.

An equipotential connection between the metal parts of the tub must be made, complying with the standards in each country.

No wiring not complying with an IPX5 protection degree must be made inside volume 1. We recommend the usage of a junction box for this aim, which fulfils the mentioned protection. Beware of making this wiring 200mm above the floor level.

No switches, outlets nor lightning equipment shall be installed on volumes 0 and 1. Signalling buttons or loud alarms are possible above these volumes, activated by a string or non-hygroscopic insulating cable.

On volume 2 no switches shall be installed, but you may install safety outlets. You may also install fixed lightning apparatus, preferably those of class 2 of insulation, or those which have no accessible metal parts, and in the bulb supports no random contacts with active parts should be made when putting or removing bulbs. In these lightning apparatus there must be no switches or outlets, except safety outlets.

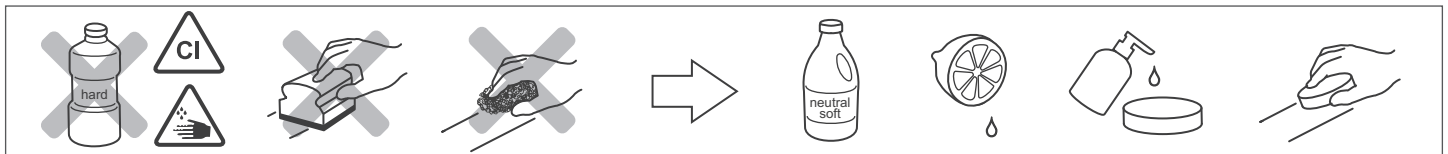
This apparatus may be used by 8-year-old or older children, and by people with reduced mental, sensory and physical abilities, or even by people with some lack of experience and knowledge, if they have had some training on the safe usage of the equipment and if they are aware of the risks involved.

The cleaning and maintenance of the equipment shouldn't be carried out by children without supervision. Children must not play with the equipment.



| | | |
|---------|--|---|
| Acrylic | EN 198 | Specifications for domestic use bathtubs made from crosslinked cast acrylic sheets |
| | EN 263 | Specifications of crosslinked cast acrylic sheets for baths and shower trays for domestic purposes. |
| | EN 232 | Bathtubs – connecting dimensions |
| | EN 14516:2006+A1 | Domestic use bathtubs |
| | EN 12764:2004+A1 | Specifications for whirlpool bathtubs. |
| | EN 60335-1:2012 | Safety of household and similar electrical appliances. General rules. |
| | EN 60335-2-60:2003 + A1:2005 + A2:2008 + A11:2010 + A12:2010 | Safety of household and similar electrical appliances. Particular requirements for whirlpool baths. |
| | EN 61000-3-2 (2006)+A1(2009) +A2(2009) EN 61000-3-3 (2008) EN 55014-1 (2006) EN 55014-2 (1997)+A1(2001) +A2(2008) | Electromagnetic compatibility (EMC). Emission, immunity and limits. Requirements for household appliances and others. |

**** BEFORE INSTALLING THE BATH, FILL IT WITH WATER AND CHECK THAT THERE ARE NO LEAKS AND THAT ALL THE HYDROMASSAGE BATH ELEMENTS OPERATE CORRECTLY. CERAMICAS GALA DECLINES ANY RESPONSABILITY BY FAILING TO CARRY OUT SUCH A CHECK.**



Las medidas e información son a título orientativo y susceptibles de modificación sin previo aviso. Este documento anula los anteriores.